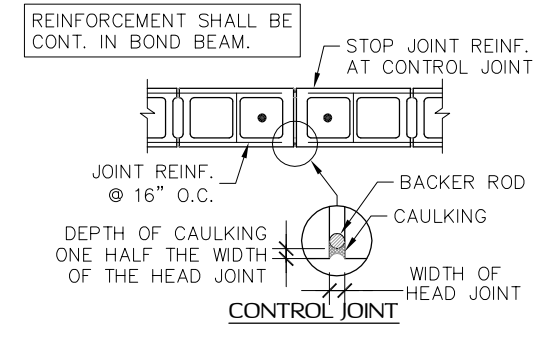
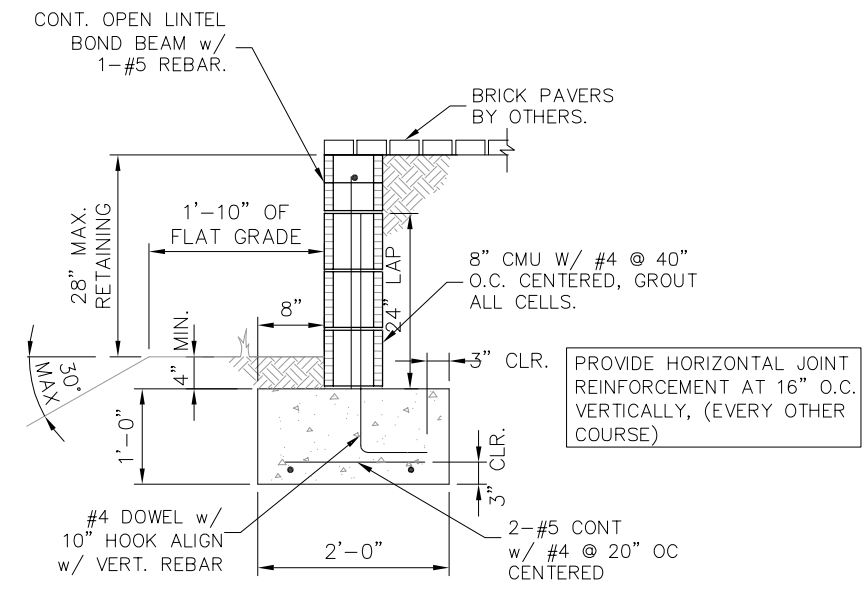


POOL FOUNDATION PLAN



2 CONTROL JOINT
SCALE: N.T.S.



1 RETAINING WALL DETAILS
SCALE: N.T.S.

PROJECT
LAW RESIDENCE

BUILDER
DREAMBUILDER

JOB NO.
DRBD-14-00426

DATE
04.06.15

SHT. NO.

SK-1

Lou Pontigo and Associates, Inc.

420 Osceola Avenue
Jax. Beach, Florida 32250
Ph. 242-0908 Fax. 241-9557
FL: CA # 8344 SC: CA# 3579

