



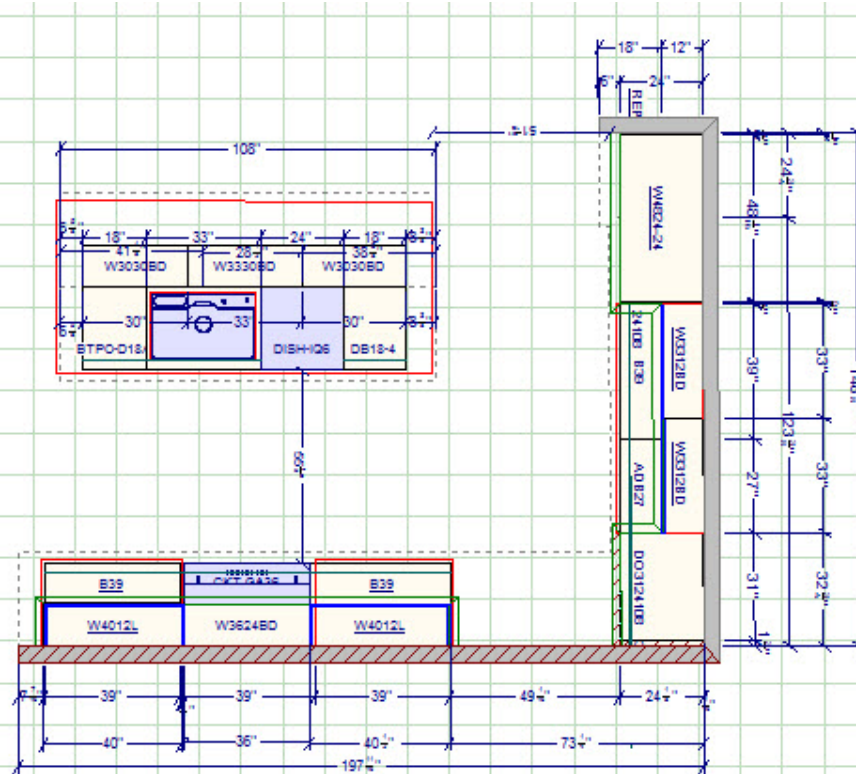
CABINETS DESIGNS:

Starr DREAM DESIGN 36

The following steps are **required** to confirm and place your order:

- Sign each page of cabinets designs/plans
- Sign and date the bottom of pages to verify door styles and finish selections

Kitchen



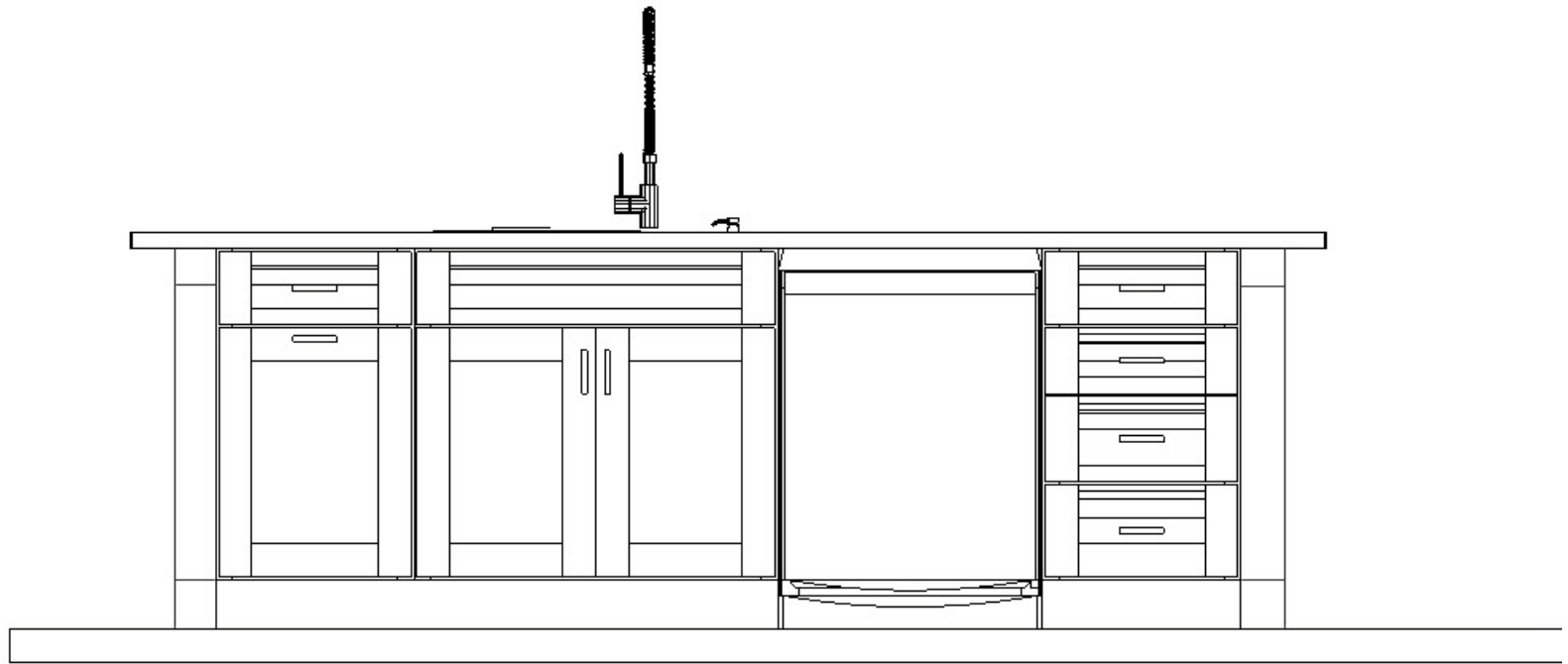
Kitchen Right View



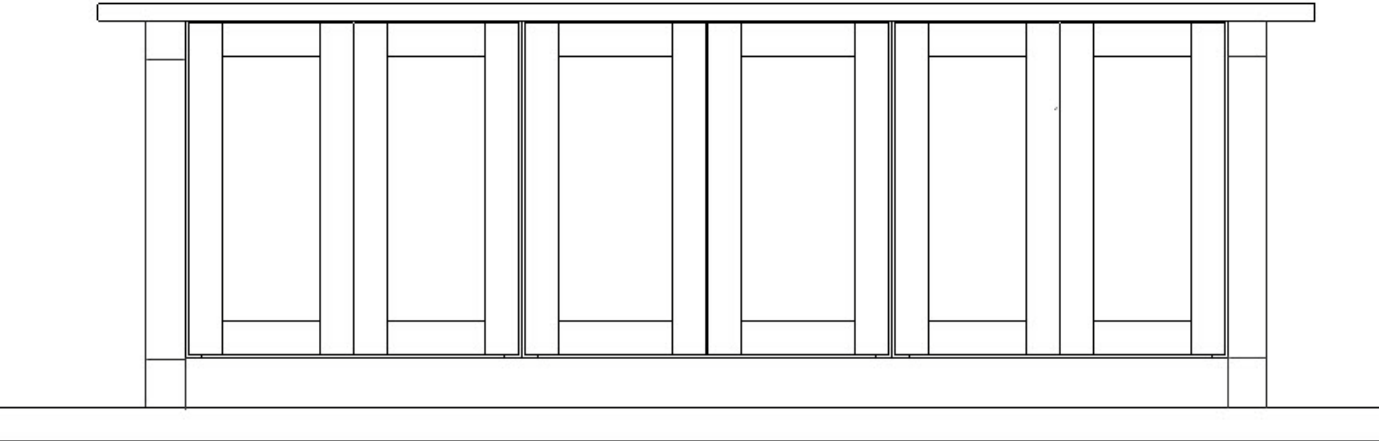
Kitchen Side View



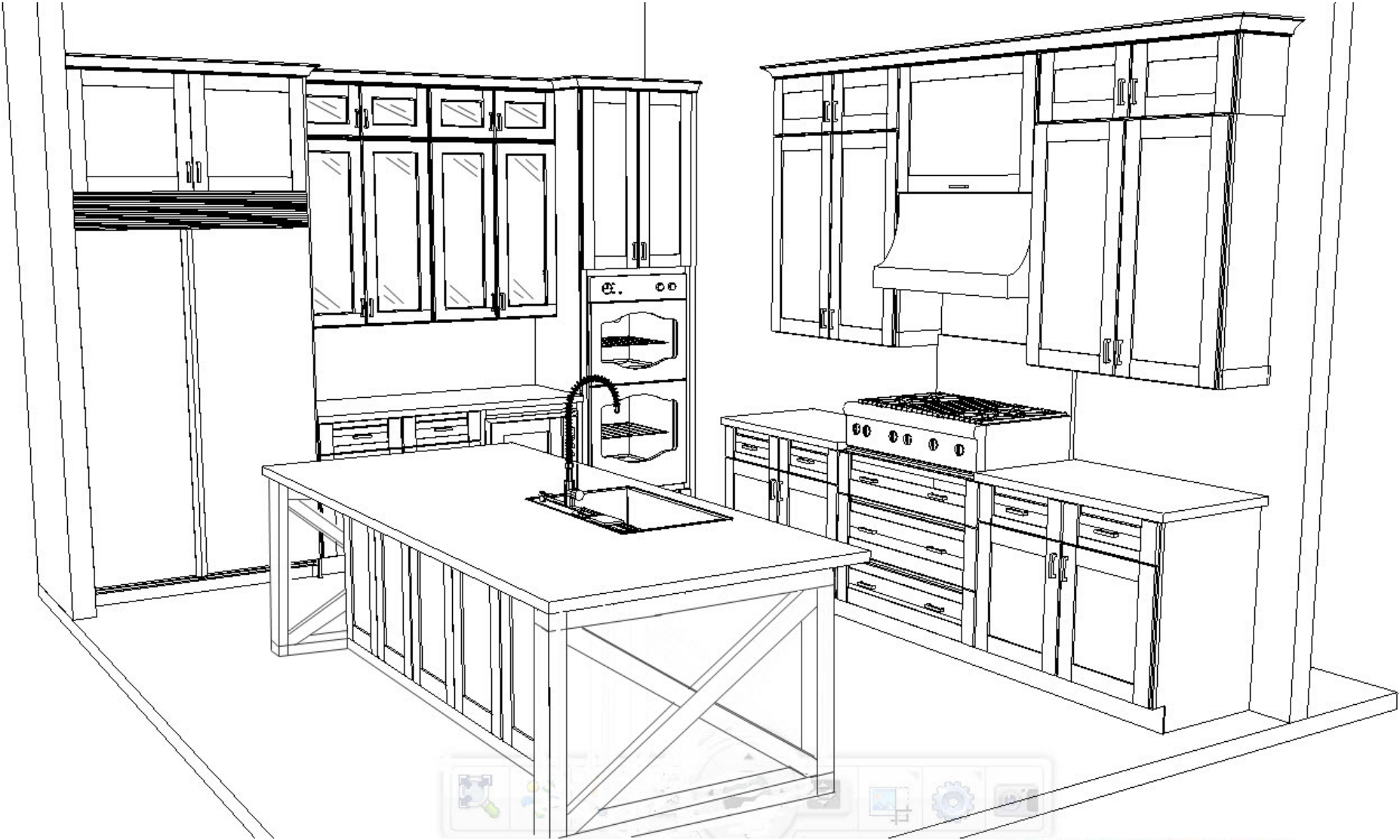
Island Front View



Island Back View



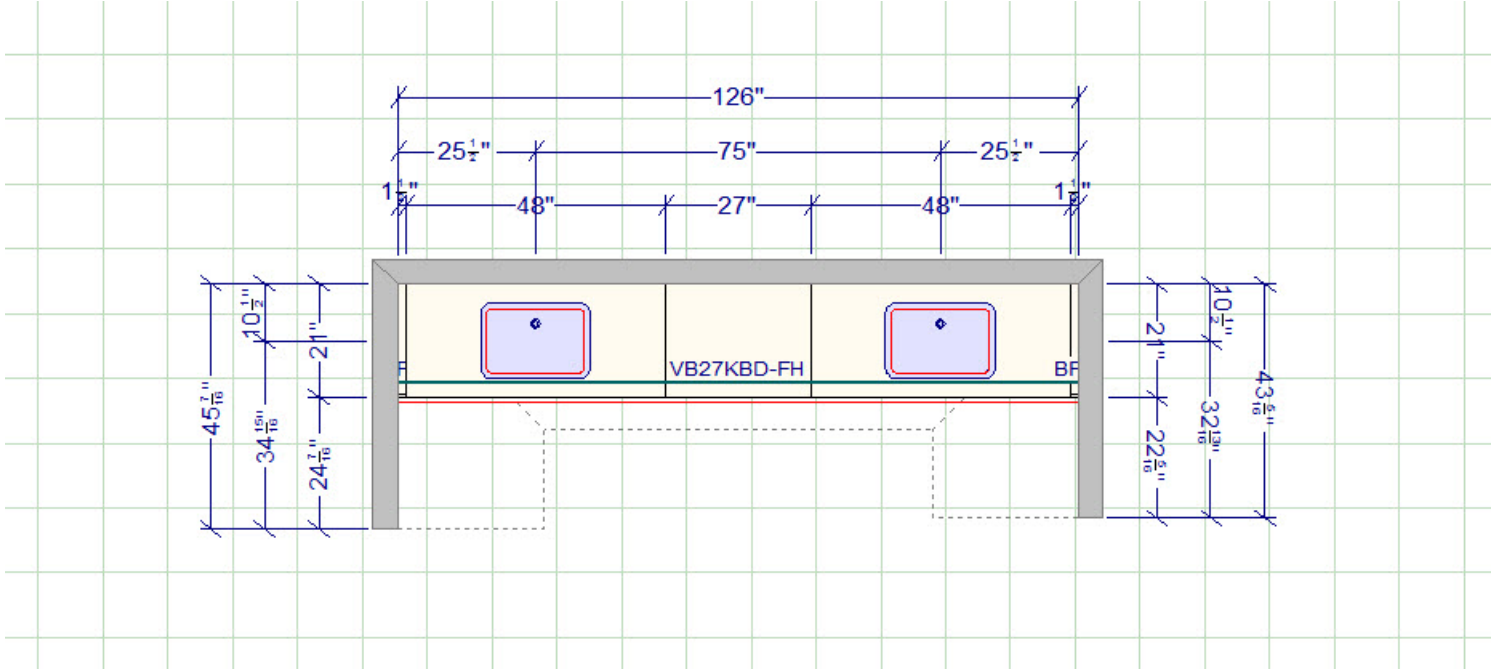
Kitchen View



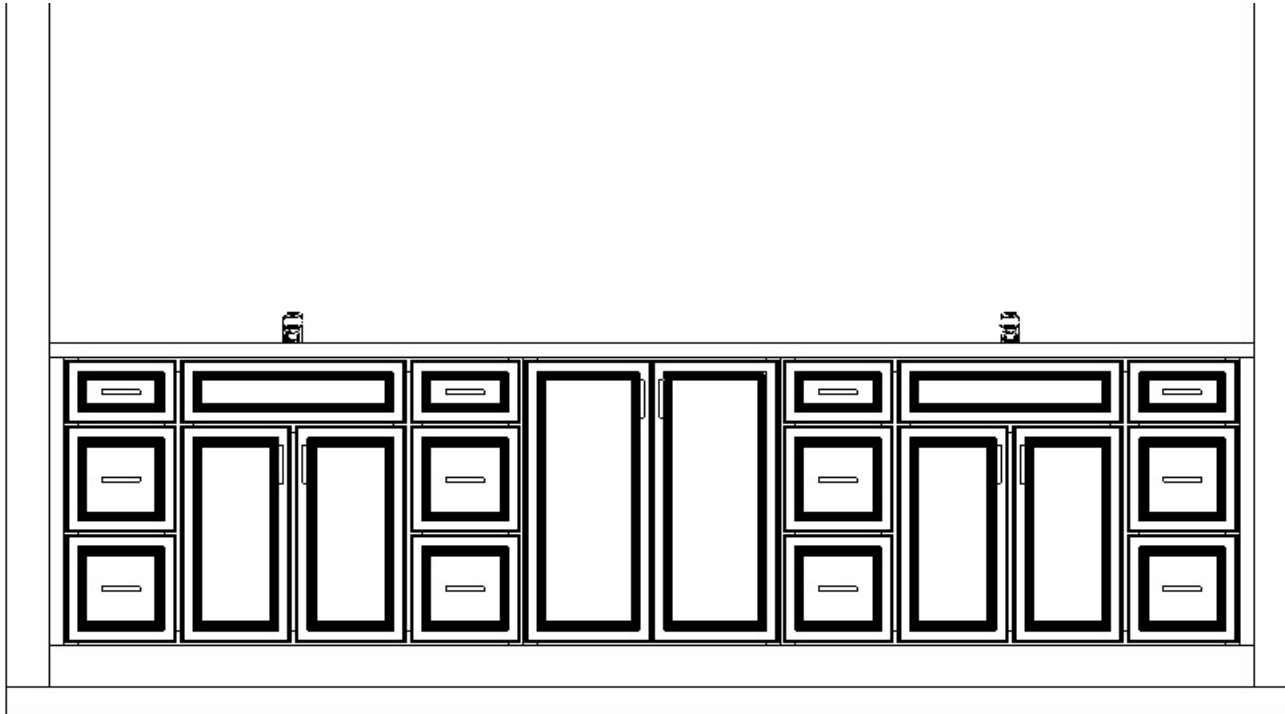
Kitchen View



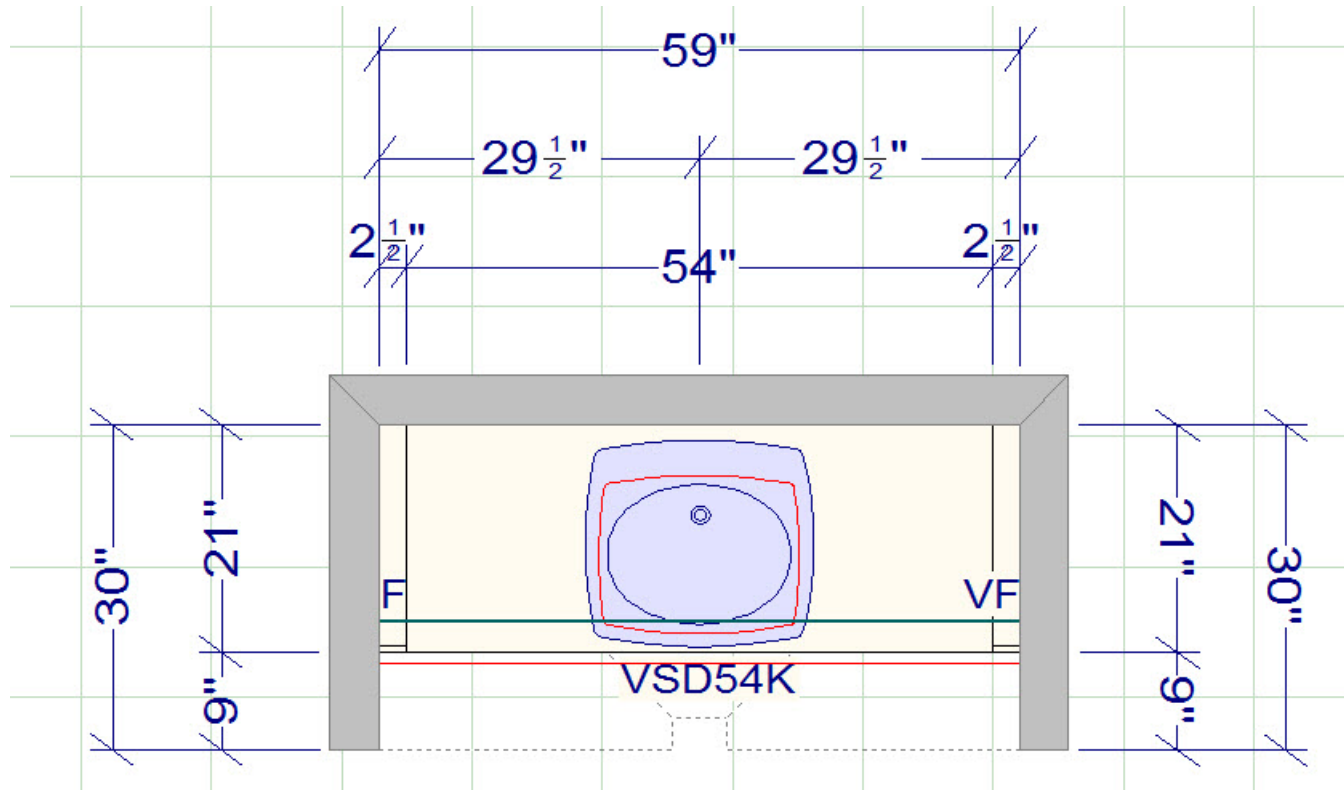
Mater Bath



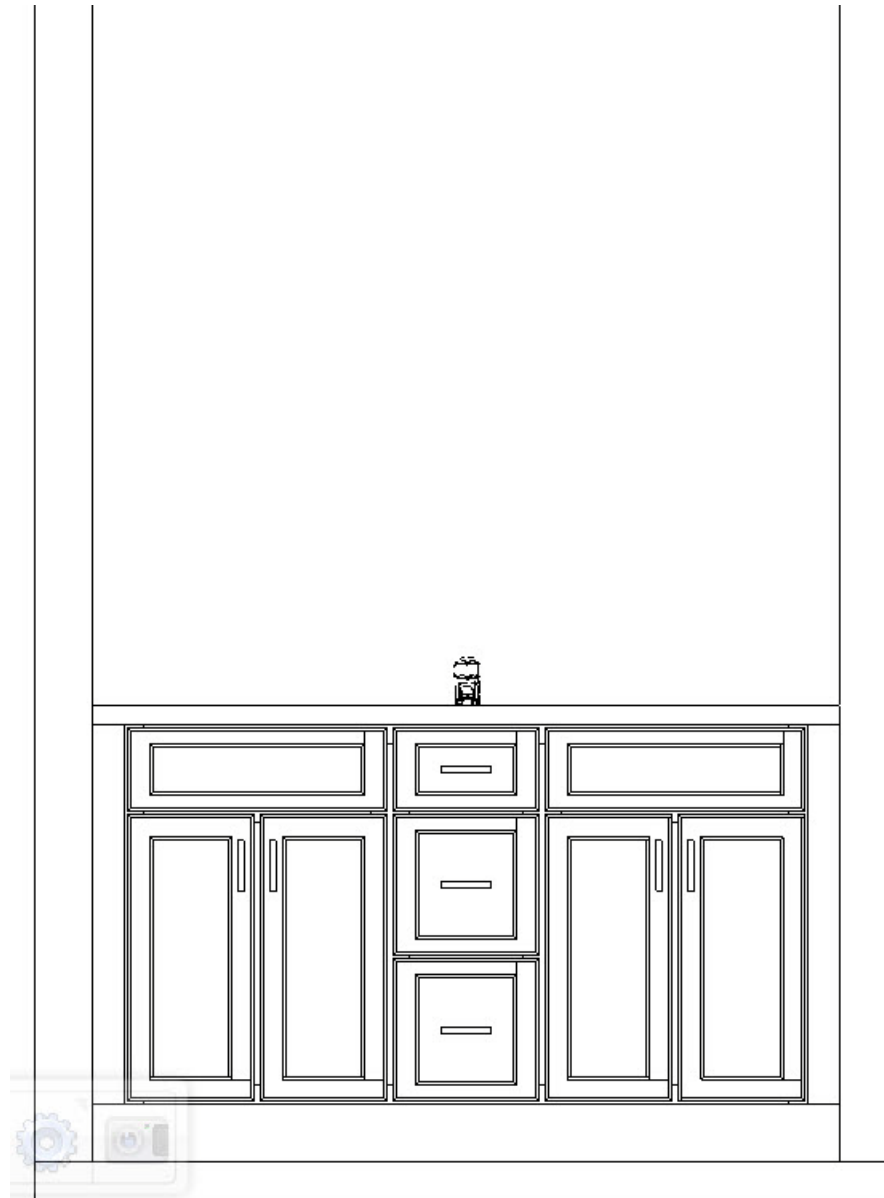
Master View



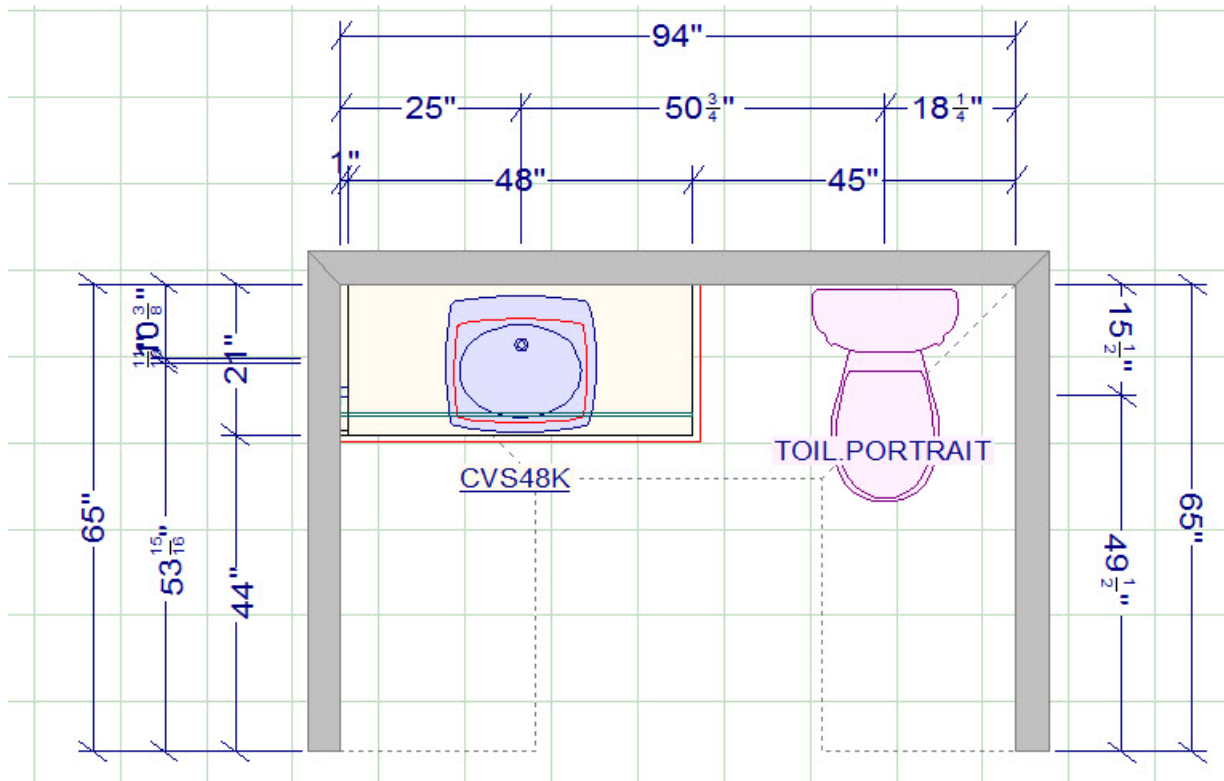
Bath # 4



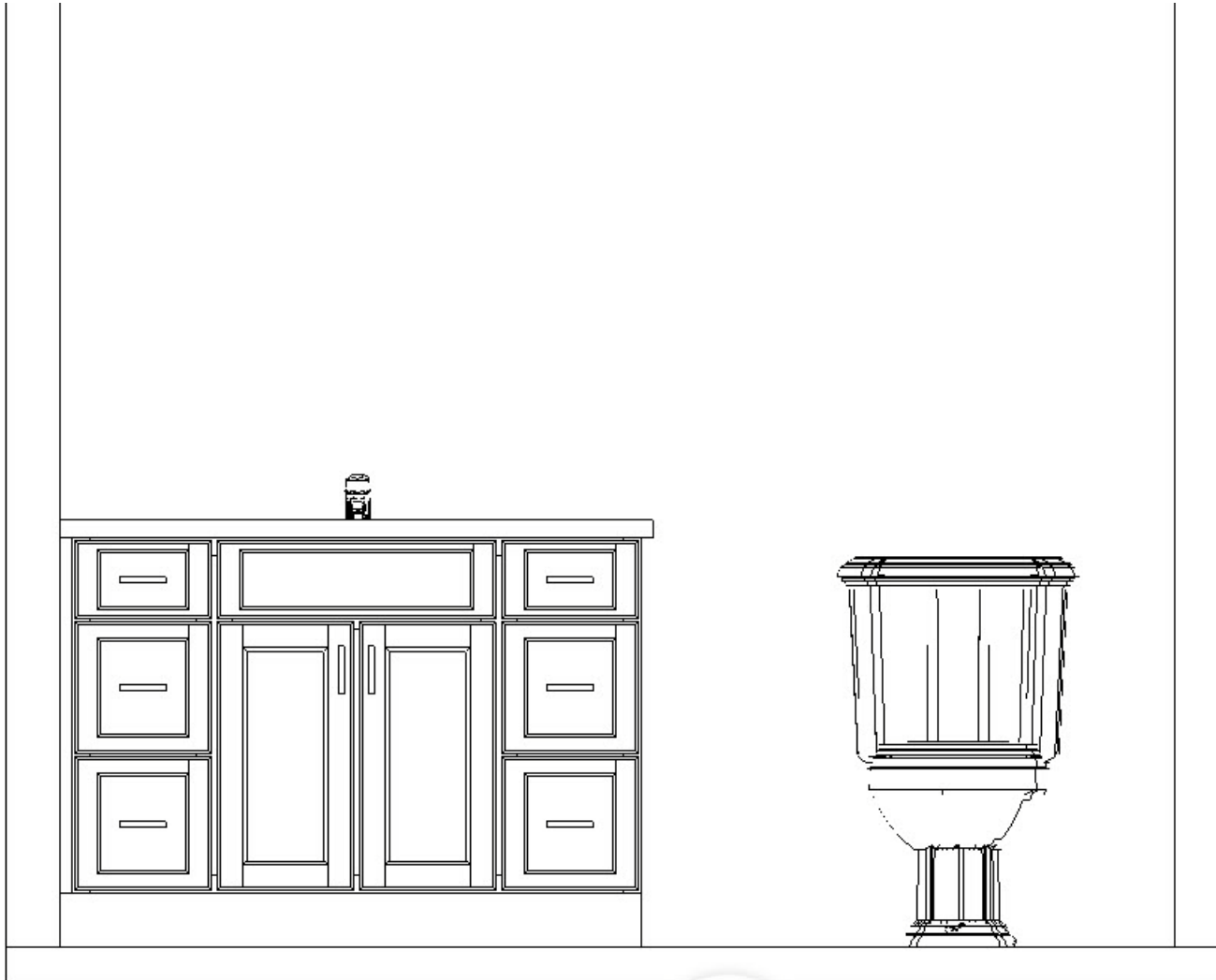
Bath # 4 View



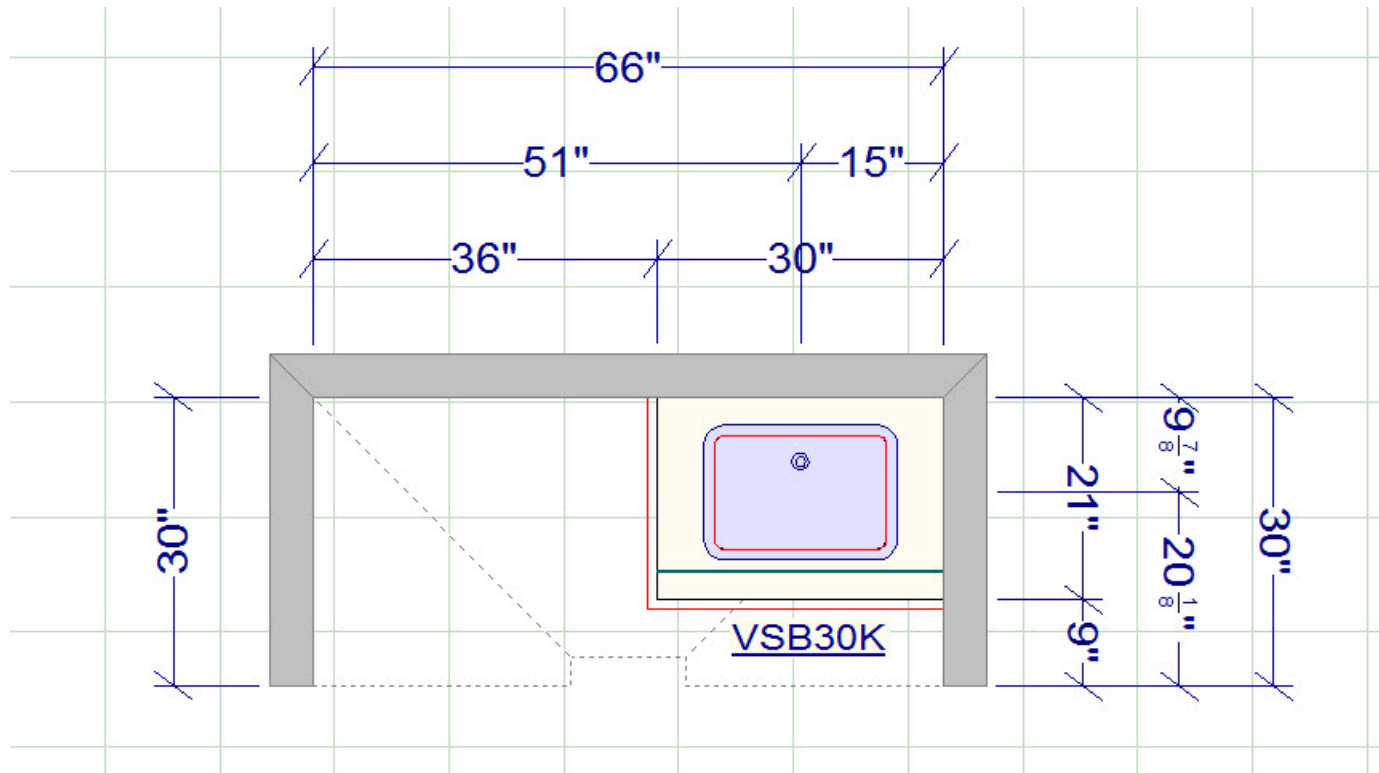
Bath # 3



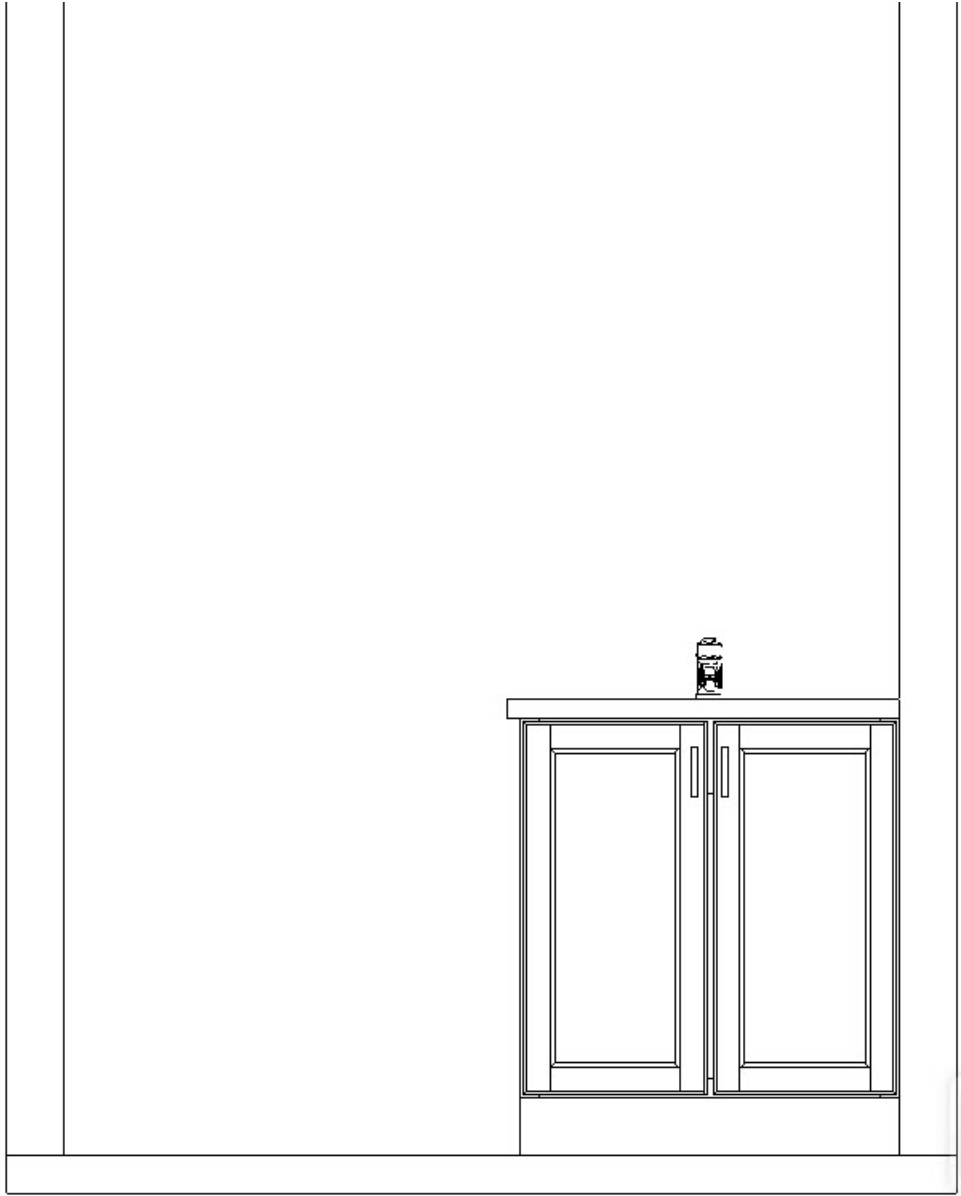
Bath # 3 View



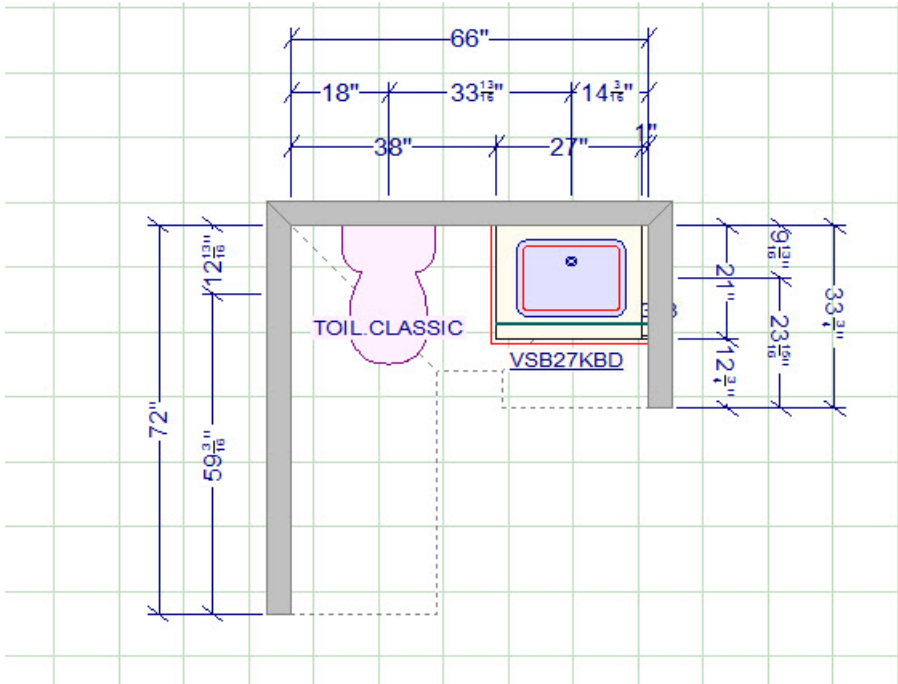
Bath Room # 2



Bath Room # 2
View



POWDER ROOM



POWDER ROOM



Collection

Jensen

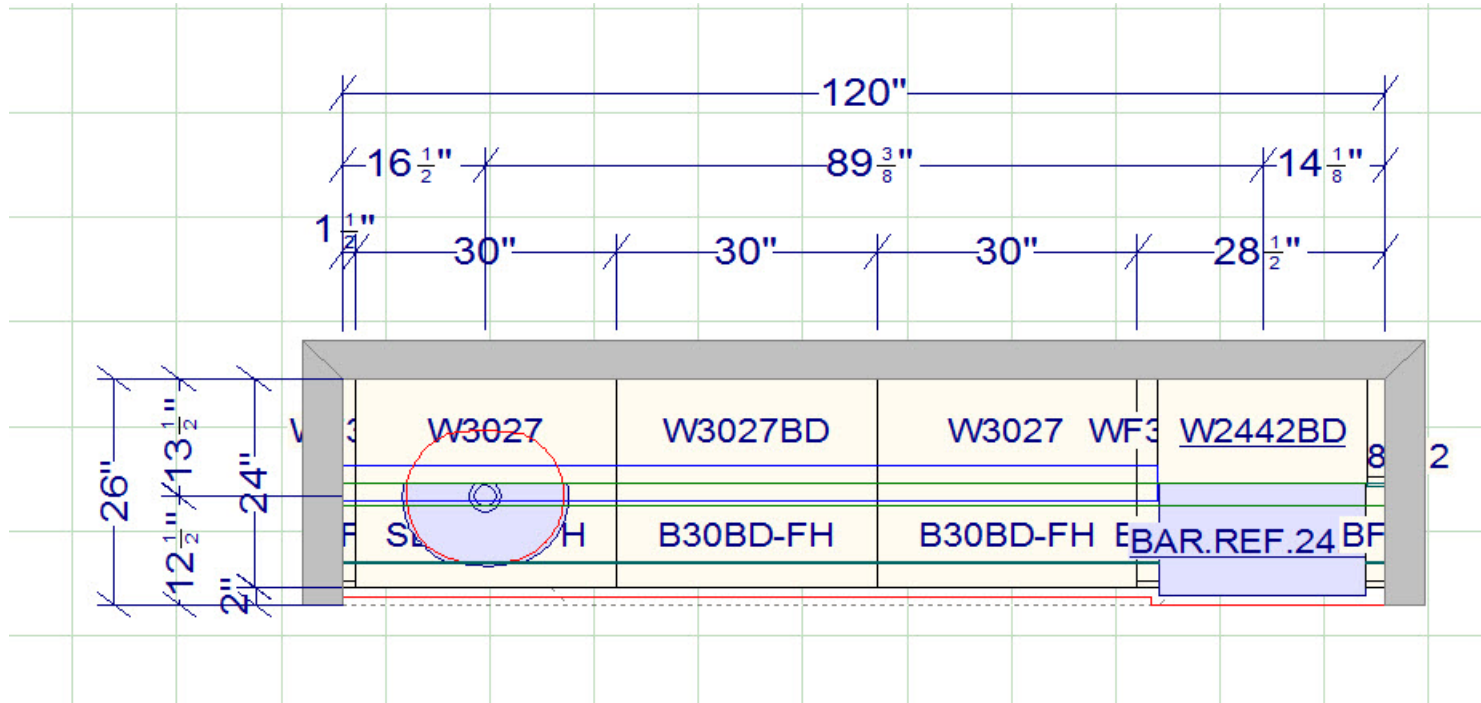
Item No.

VAN059-T-MW

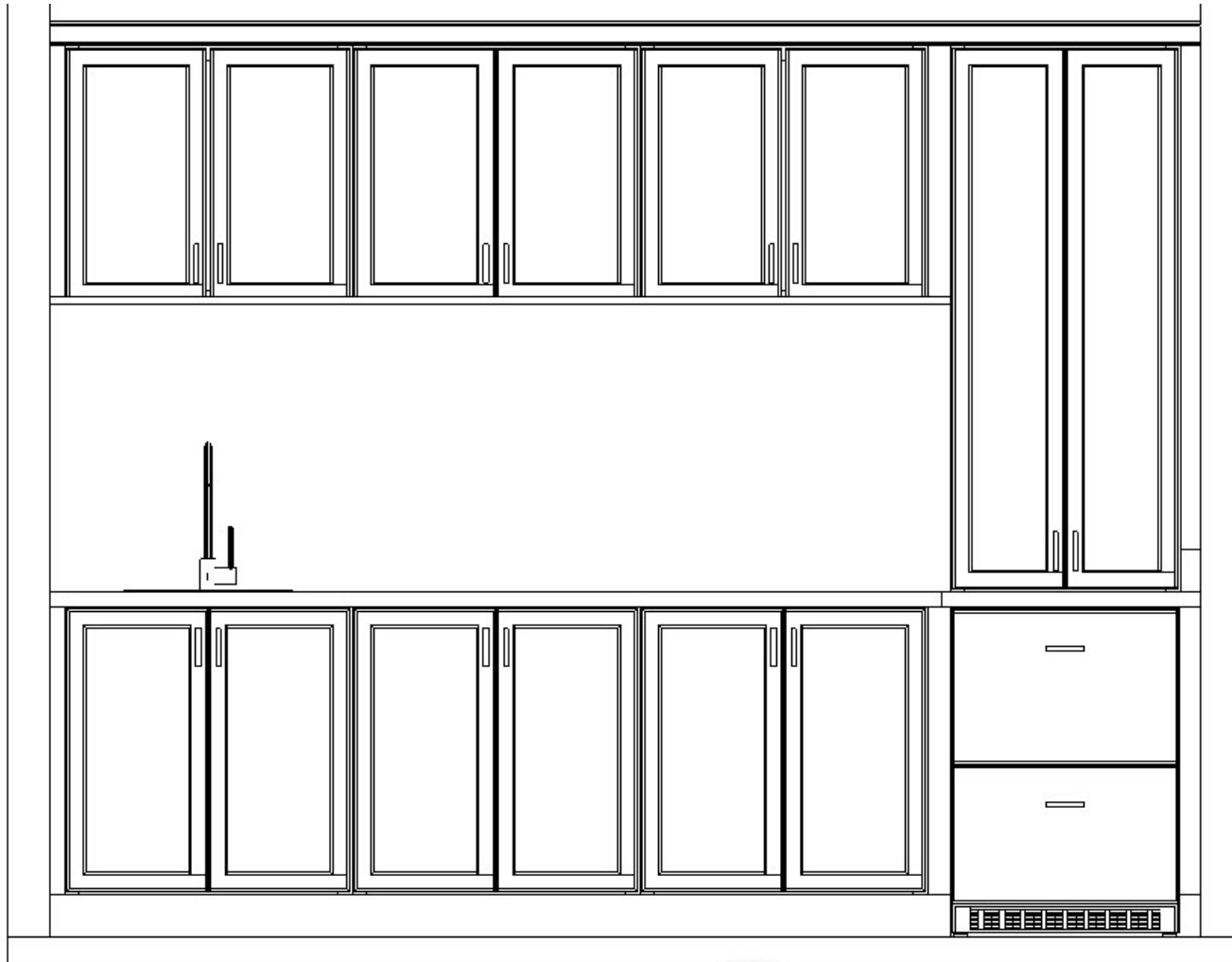
Description

28" vanity with white finish and elegant tapered legs and clean lines with preassembled top and bowl.

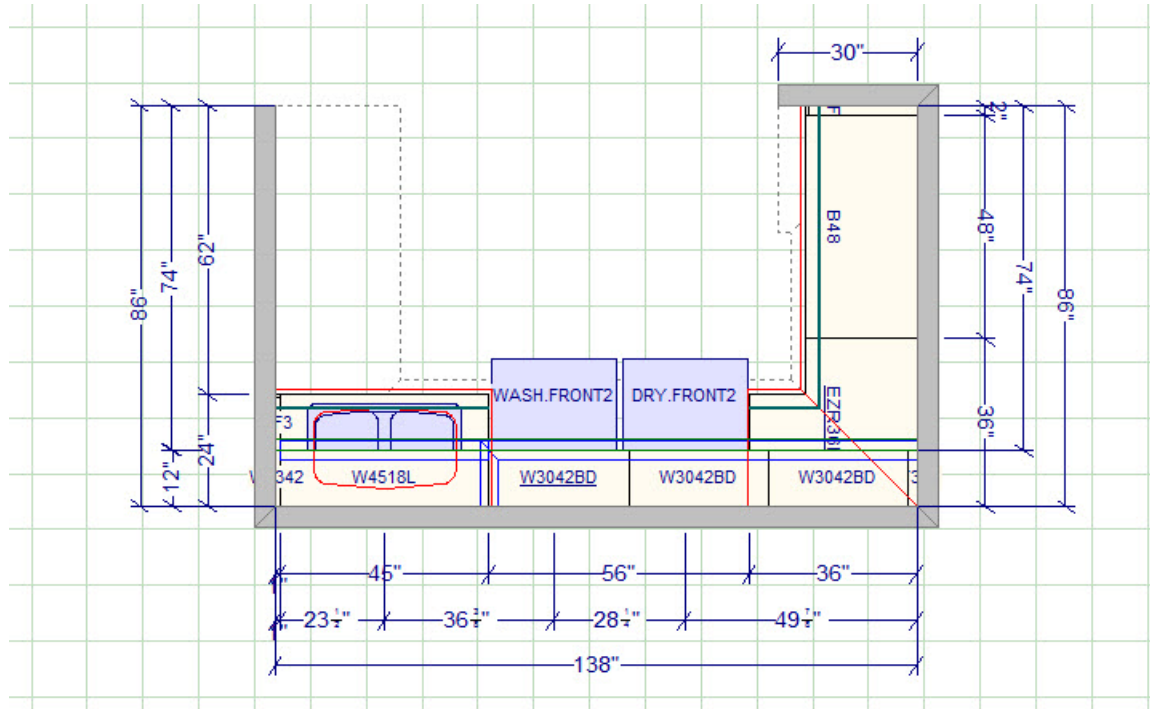
Game Room



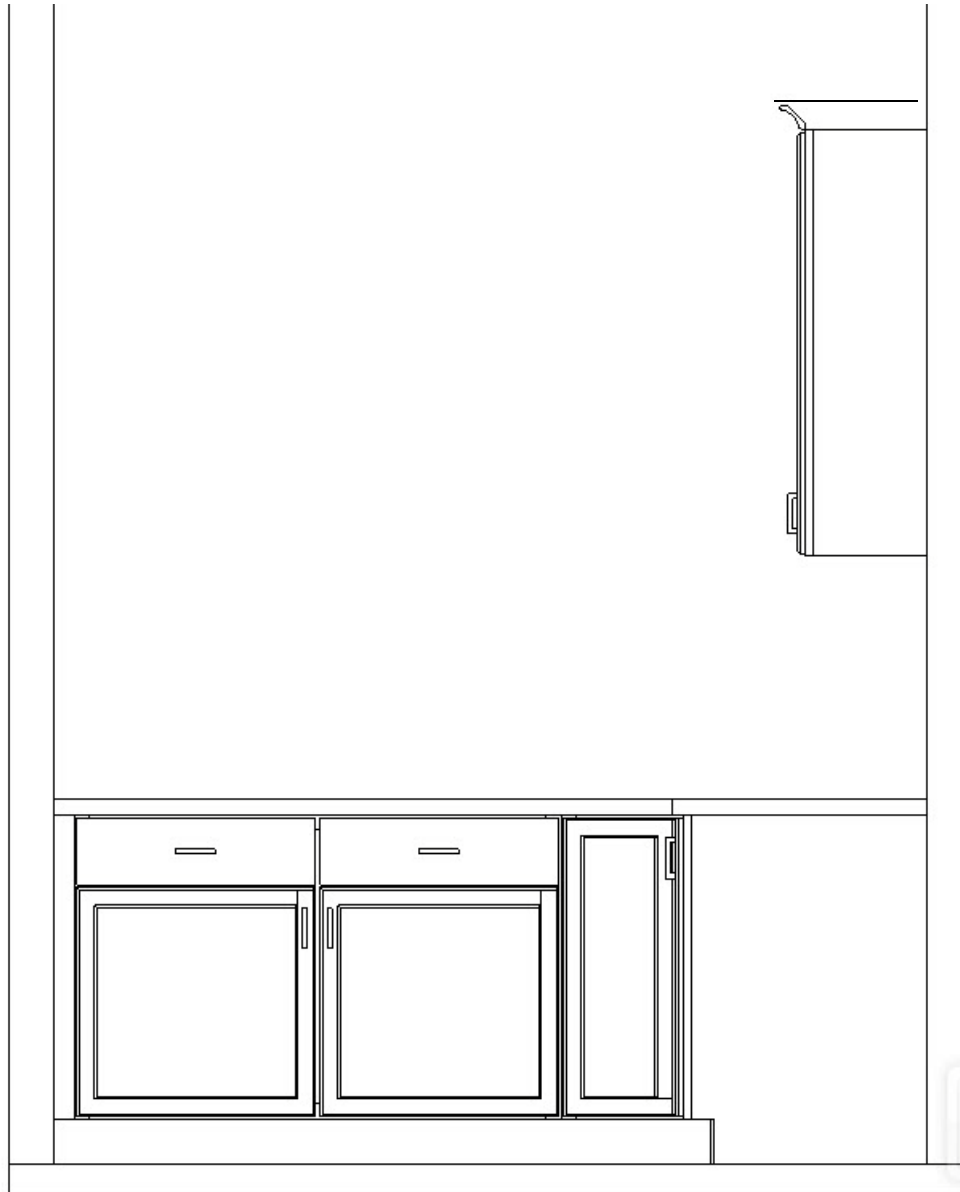
Game Room View



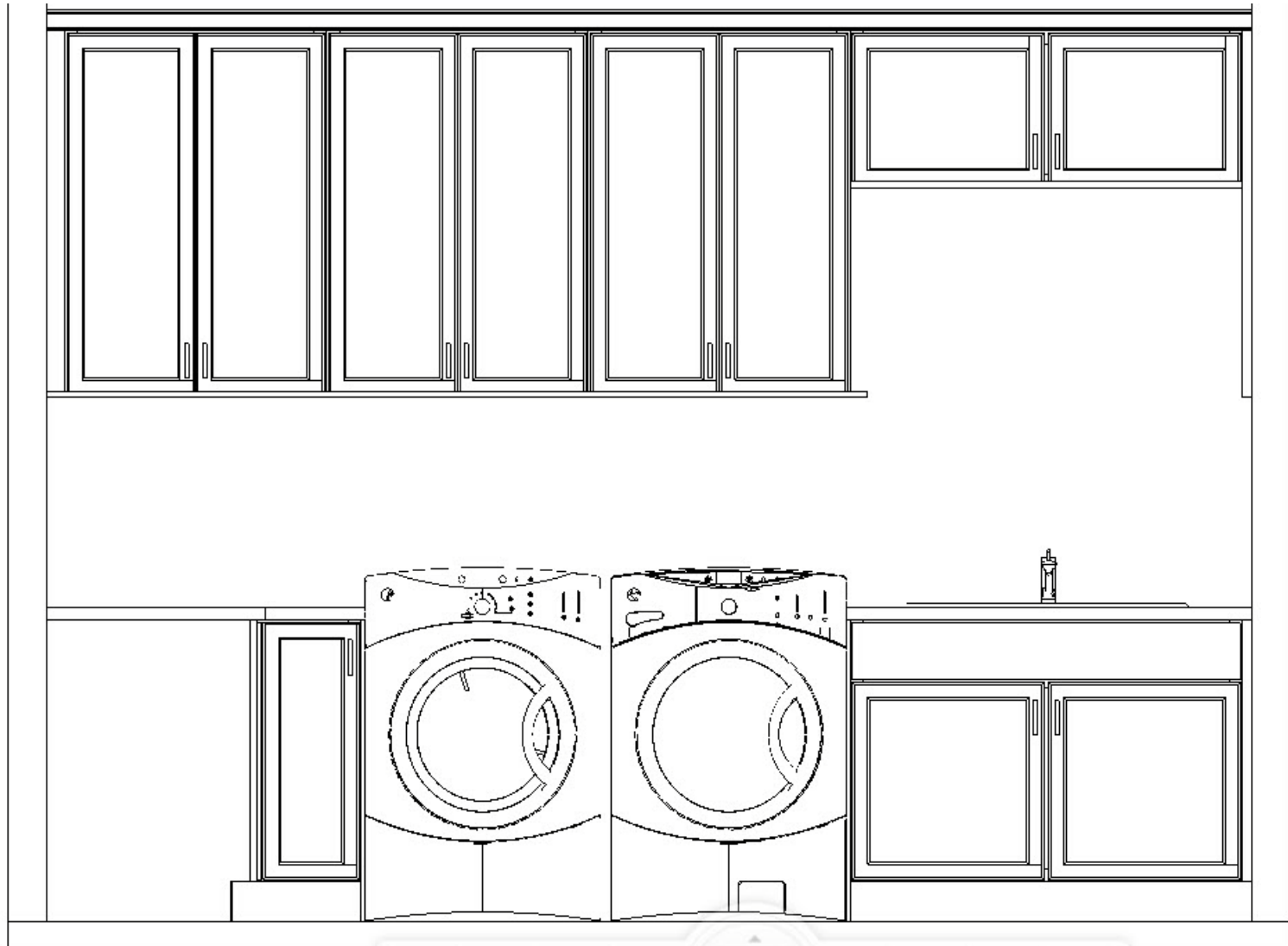
Laundry Room



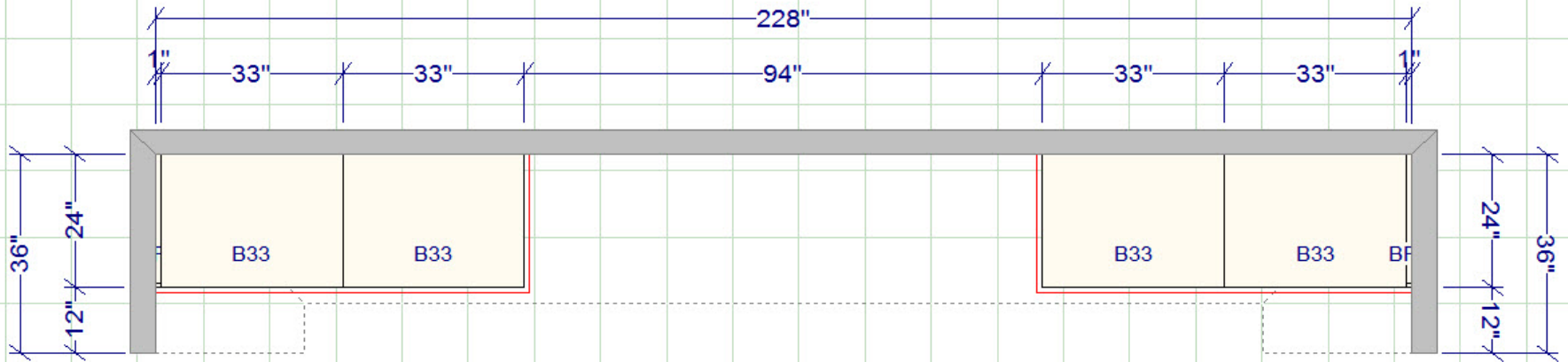
Laundry Room View



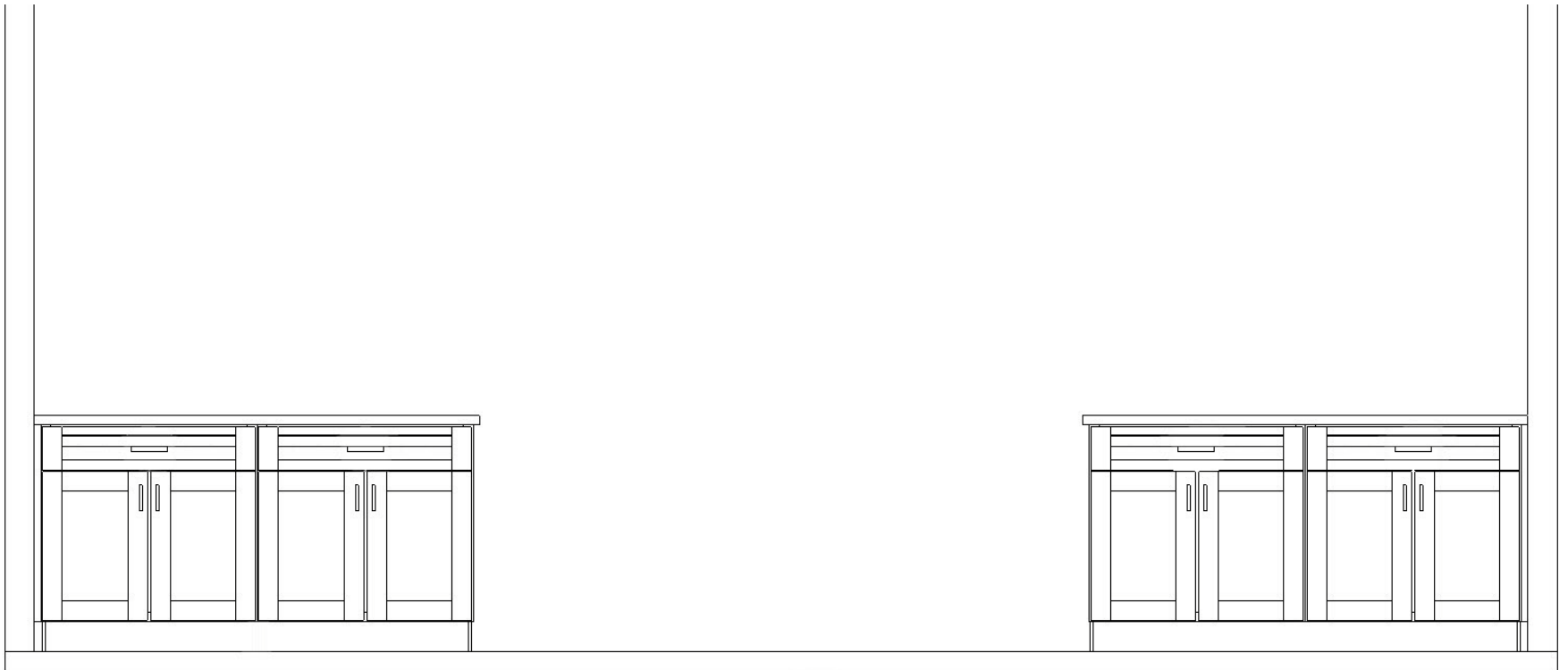
Laundry Room View 2



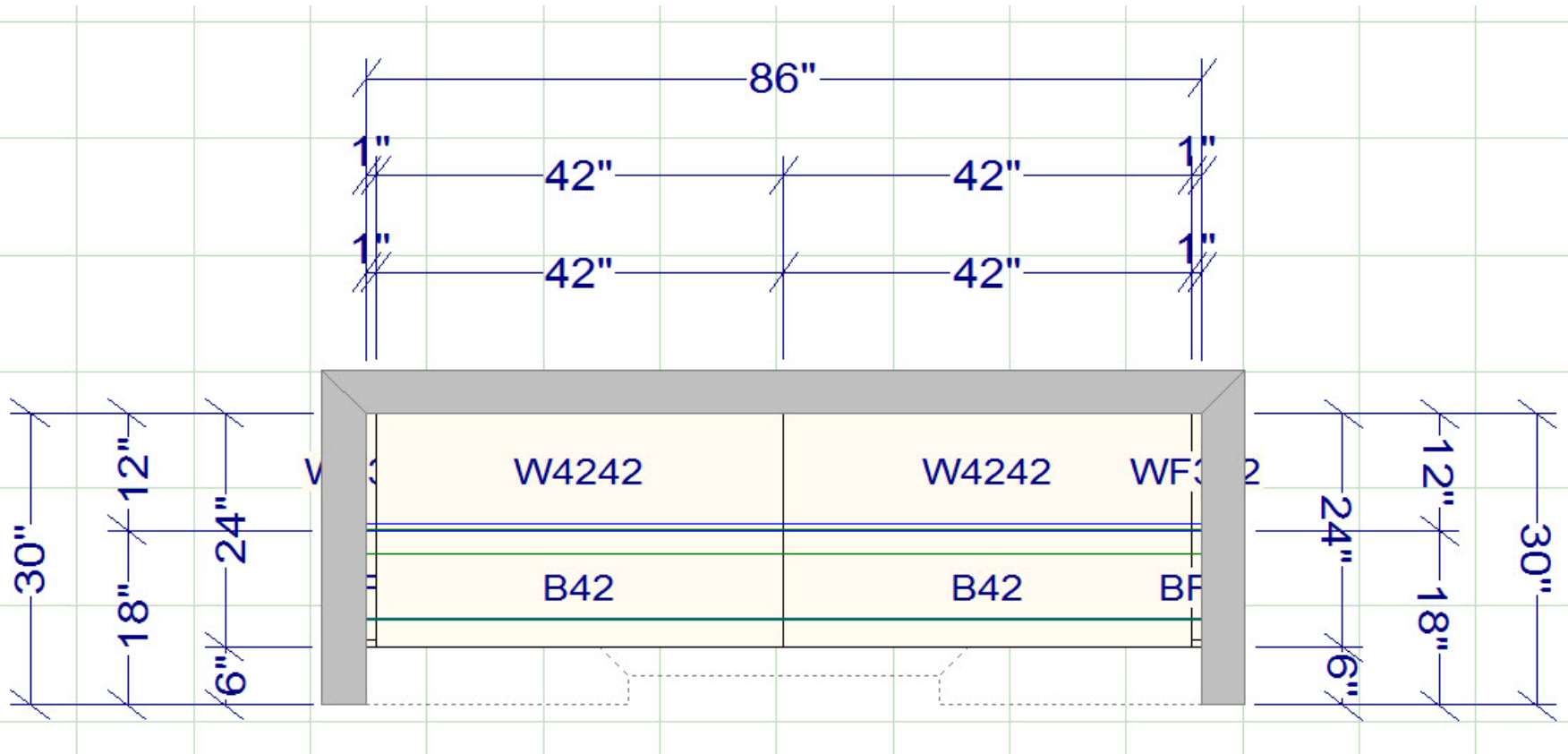
Built Room



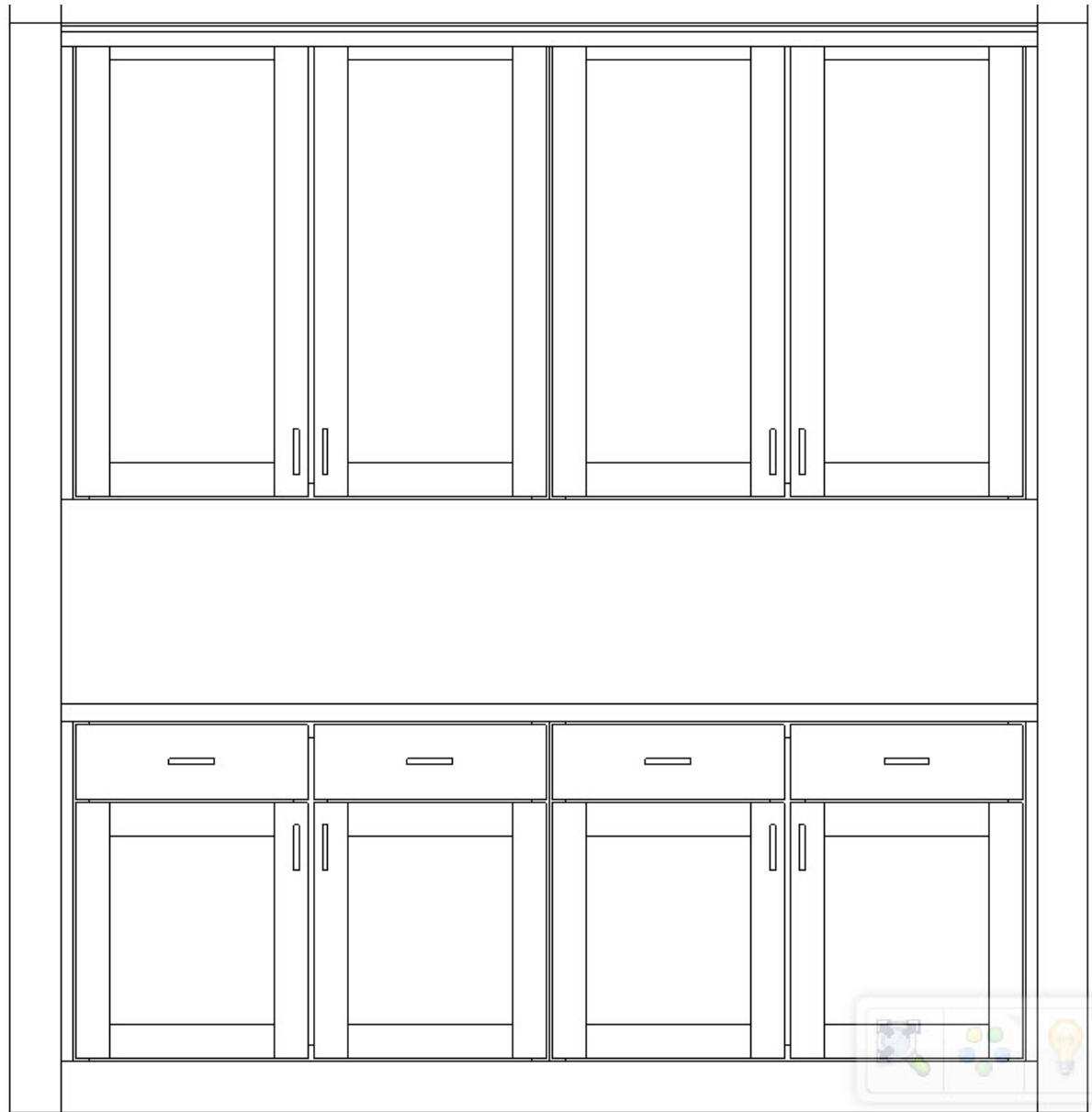
Built Room View



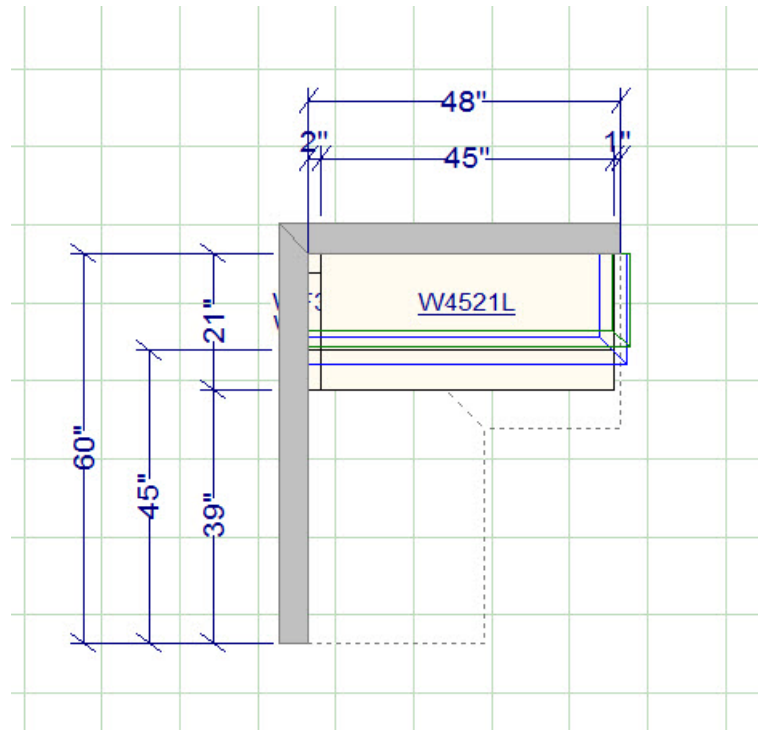
Butlers Pantry



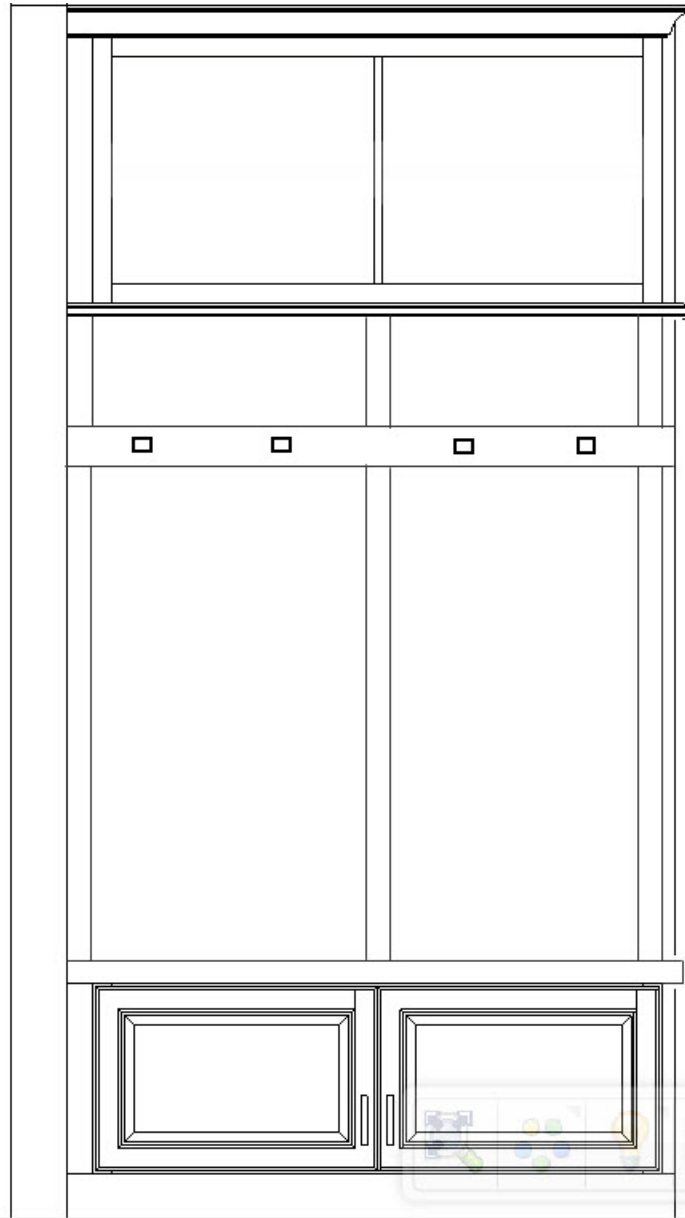
Butlers Pantry



Mud Room



Mud Room View



TK740BLK

CHANNING KNOB 1 1/16 INCH

Hardware: Channing Knob 1 1/16 Inch
Style: Contemporary, Transitional
Finish: Flat Black
Material: Zinc Alloy
Collection: Barrington
Length: 1 1/16 in.
Width: 1 1/16 in.
Projection: 1 1/8 in.
Center-to-Center*:
Base Diameter: 7/16 in.



KITCHEN, BUTLERS,
MUDROOM, BUILT IN
HARDWARE

TK744BLK

CHANNING PULL 5 1/16 INCH (C-C)

Hardware: Channing Pull 5 1/16 Inch (c-c)
Style: Contemporary, Transitional
Finish: Flat Black
Material: Zinc Alloy
Collection: Barrington
Length: 6 3/8 in.
Width: 9/16 in.
Projection: 1 in.
Center-to-Center*: 5 1/16 in.
Base Diameter: 13/16 in. x 7/8 in.



TK745BLK

CHANNING PULL 6 5/16 INCH (C-C)

Hardware: Channing Pull 6 5/16 Inch (c-c)
Style: Contemporary, Transitional
Finish: Flat Black
Material: Zinc Alloy
Collection: Barrington
Length: 7 5/8 in.
Width: 9/16 in.
Projection: 1 in.
Center-to-Center*: 6 5/16 in.
Base Diameter: 13/16 in. x 7/8 in.





Collection

Florence

Item No.

2980SN

Finish

Satin Nickel

LAUNDRY
HARDWARE



Florence

Item No. 2981SN

TK702PC

ASCENDRA KNOB 1 1/4 INCH

Hardware: Ascendra Knob 1 1/4 Inch
Style: Contemporary
Finish: Polished Chrome
Material: Zinc Alloy
Collection: Transcend
Length: 1 1/4 in.
Width: 1 1/4 in.
Projection: 1 3/16 in.
Center-to-Center*:
Base Diameter: 7/8 in.



MASTER BATH
HARDWARE

TK703PC

ASCENDRA PULL 3 3/4 INCH (C-C)

Hardware: Ascendra Pull 3 3/4 Inch (c-c)
Style: Contemporary
Finish: Polished Chrome
Material: Zinc Alloy
Collection: Transcend
Length: 4 7/16 in.
Width: 3/8 in.
Projection: 1 3/16 in.
Center-to-Center*: 3 3/4 in.
Base Diameter: 11/16 in.





Transitional Zinc Knob - 53710

Product number **BP53710145**

Color/Finish **Satin Nickel** ▲

BATH 2 HARDWARE



Collection **Sutton** View entire **Collection**

Item No. **635-96SN**

Description **4-3/4" Overall Length Cabinet Pull. Holes are 96mm center-to-center. Packaged with two 8-32 x 1" screws. Finish: Satin Nickel**

Finish **Satin Nickel**

BATH 3 HARDWARE

GAME ROOM
AND BATH 4
HARDWARE

TK822BLK

LILY PULL 3 3/4 INCH (C-C)

Hardware: Lily Pull 3 3/4 Inch (c-c)
Style: Contemporary, Transitional
Finish: Flat Black
Material: Zinc Alloy
Collection: Serene
Length: 4 11/16 in.
Width: 1/2 in.
Projection: 1 5/16 in.
Center-to-Center*: 3 3/4 in.
Base Diameter: 7/8 in.



TK820BLK

LILY KNOB 1 INCH

Hardware: Lily Knob 1 Inch
Style: Contemporary, Transitional
Finish: Flat Black
Material: Zinc Alloy
Collection: Serene
Length: 1 in.
Width: 1 in.
Projection: 1 5/16 in.
Center-to-Center*:
Base Diameter: 1 in.

